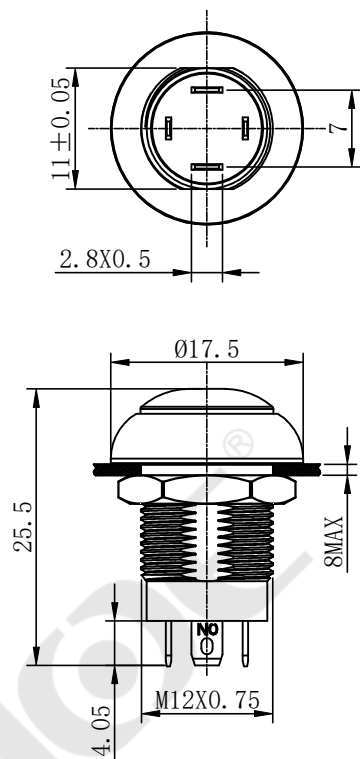


UNIT: mm (毫米)

CDOE



开关结构说明:
Switch structure description:

灯珠等效电路:
Lamp bead equivalent circuit:

安装孔尺寸:
Mounting hole size:

技术要求:

Technical requirements:

- 表面光洁, 平整无毛刺;
The surface is smooth without burr;
- 参数/批次字迹清晰, 无错位;
Clear handwriting of parameters/batches without any dislocation;
- 电气参数: $I_{th}: 7A$ $U_i: 250V$;
Electric parameter: $7A$ $U_i: 250V$;
- 工作环境温度: $-25^{\circ}C \sim +65^{\circ}C$;
Working environment temperature: $-25^{\circ}C \sim +65^{\circ}C$;
- 动作形式: 自复式;自锁式;
Operation type: Momentary; Latching;
- 动作行程: 约3mm;
Movement stroke: about 3mm
- 连接形式: 焊接导线;
Connection: Welding wire;
- 拧紧力矩: 约0.6Nm;
Tightening torque: about 0.6Nm;
- 开关组合: 1NO;
Contact configuration: 1NO;
- 外观材料: 按键: PC;
外壳: PC;
底座: PA66;
触点: 银合金;
Appearance material: Button surface: PC;
Housing: PC;
Pedestal: PA66;
Contact: Silver Alloy;
- 未标注公差按照GB/T 1804-m级。
Unmarked tolerance shall be in accordance with GB/T 1804-m class.
- 灯珠参数: 电气参数: $3V-6V/12V-24V/220V$;
额定电流: $\leq 20mA$;
Lamp bead parameters: Electric parameter: $3V-6V/12V-24V/220V$;
Rated current: $\leq 20mA$
- 灯珠颜色: 红/绿/黄/橙/蓝/白;
LED color: Red/Green/Yellow/Orange/Blue/White
- 灯珠寿命: 50000小时。
Led life: 50000 hours.

性能要求:

Performance requirements:

- 防护等级: IP67;
Protection grade: IP67.
- 接触电阻: $\leq 50m\Omega$;
Contact resistance: $\leq 50m\Omega$.
- 绝缘电阻: $\geq 100M\Omega$;
The insulation resistance: $\geq 100M\Omega$.
- 抗电强度: AC2500V, 1min, 无闪烁、击穿;
Electrical resistance: AC2500V, 1min, no flicker and breakdown;
- 寿命: 电气部分在额定负载下动作5万次无异常。
Life: Electrical part: operate 50,000 times under rated load without any abnormality.
- 机械部分: 动作50万次无异常;
Mechanical part: no abnormal movement for 500,000times.

描 图

描 校

底 图 号

装 订 号

					YUEQING DAHE ELECTRIC CO., LTD.	
					乐清市大和电气有限公司	
标 记		处 数	更改文件号	签 字	日 期	名称(TITLE): M12 Plastic waterproof button
DR.	APPD.	SCALE.	counter	sign	Date.	M12塑料防水按钮开关
制 图	审 核	比 例	会 签		日期	图号(DWG NO): CDOE-D12B-10D(Z)/J/PC/R/12-24V/R
蔡浩然	李振方	1.5:1			2025.10.8	
PW.		P.	页 码	第1页 共1页(1/1)		
单 重						